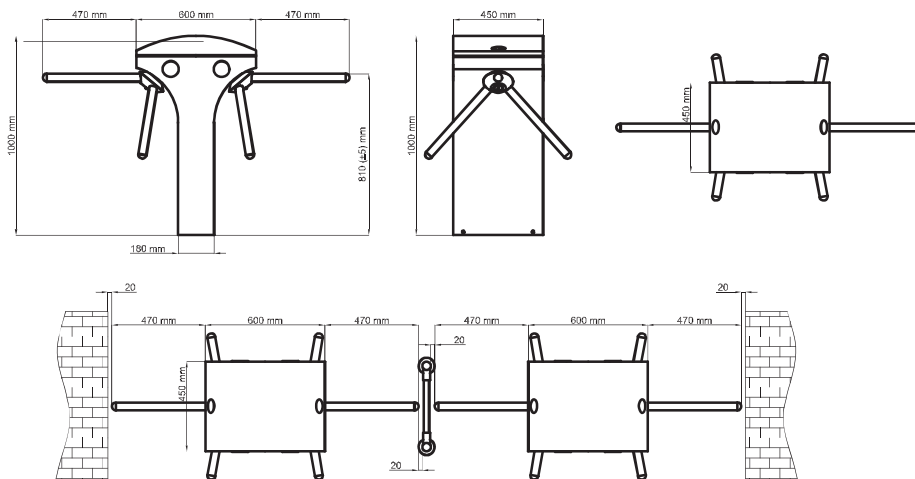


602 D



- Power Requirements** : 110/220V. 60/50Hz. AC (%±10) 24V. DC at standby ~22W. max. ~120W.
- Arms** : Double-sided. Ø40mmx2mm 304-Grade stainless steel (Opt. anodised hard aluminium).
- Body Features** : 2mm 304-Grade (Opt. 316-Grade) stainless steel with brushed (Opt. Satin) surface .
- Operating Temperature, Humidity, IP Rating, MCBF** : -20°C to +68°C (Opt. -50°C with heater unit), RH 95% non-condensing / IP 56 Outdoor Model / 1M Cycles
- Control System** : All inputs are opto-coupler protected. Compatible with all access control systems that provide dry contact or grounding outputs. Optional RS232/RS485/TCP IP control module is available.
- Operation** : Bi-directional passage, manually (Opt. Motorized) operated system.
- Emergency Mode** : System allows free passage in emergency mode and in case of power failure.
- Flow Rate** : Capacity of Mechanism (Manual System): ~90 passages/minute (for double sided 90+90=180);
Nominal: ~25 - 46 passages-per-minute (Recommended reference figure)
*Utilisation of different access control units can change the flow rate.
- Standard Features** : Direction and status indicators on top and sides.
- Optional Accessories and Applications** : Remote control units, interface unit for PC, RS485, RS232 and LAN, counter, audio-messaging system, motor driven unit, automatic drop (retractable) arm, alarm sensor, heater positive unit, coin slot/intelligent coin system and coin box, card reader pole, pipe barrier (Separator), floor mounting plate.



**Design and specifications are subject to change without notice.*